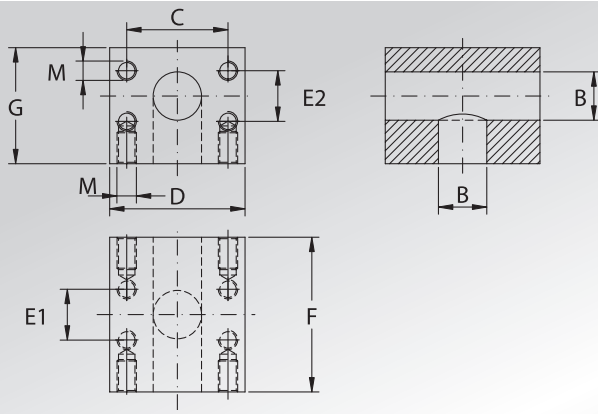


# BLOCCHI SAE A "T"



## SAE "T" BLOCKS



Pressione max di esercizio raccomandata Kg/cm <sup>2</sup>	Grandezza	Tipo	Dimensioni								Peso Kg
Maximum recommended working pressure Kg/cm <sup>2</sup>	Size	Type	Dimensions								Weight Kg
			B	C	D	E1	E2	F	G	M	

### SERIE 3000

345	1/2"	TBL301301	13	38,1	50,0	17,48	17,48	70	48	M08	1,20
345	3/4"	TBL302302	19	47,60	65	22,23	22,23	75	55	M10	1,80
345	1"	TBL303303	25	52,37	70	26,19	26,19	80	60	M10	2,13
276	1"1/4	TBL304304	32	58,72	80	30,18	30,18	90	70	M10	3,11
207	1"1/2	TBL305305	38	69,85	100	35,71	35,71	110	85	M12	5,85
207	2"	TBL306306	50	77,77	120	42,88	42,88	117	100	M12	8,60
172	2"1/2	TBL307307	62	88,90	115	50,80	50,80	160	120	M12	12,50
138	3"	TBL308308	73	106,38	135	61,93	61,93	160	135	M16	16,10

### SERIE 6000

400	1/2"	TBL601601	13	40,49	60	18,24	18,24	70	50	M08	1,50
400	3/4"	TBL602602	19	50,80	75	23,80	23,80	70	55	M10	2,00
400	1"	TBL603603	23	57,15	80	27,76	27,76	78	64	M12	2,65
400	1"1/4	TBL604604	30	66,68	100	31,75	31,75	92	72	M14	4,30
400	1"1/2	TBL605605	38	79,38	110	36,50	36,50	98	98	M16	6,70
400	2"	TBL606606	50	96,82	140	44,45	44,45	137	105	M20	12,30
400	2"1/2	TBL607607	62	123,80	180	58,70	58,70	177	155	M24	32,00
400	3"	TBL608608	73	152,40	208	71,40	71,40	178	178	M30	41,90

DESIGNAZIONE PER ORDINE DESIGNATION FOR ORDER	Materiale / Material S355
--	------------------------------

Blocco sae a "T"  
Sae "T" block

TBL.....

### NOTE / NOTES

AISI316L su richiesta

AISI316L on request